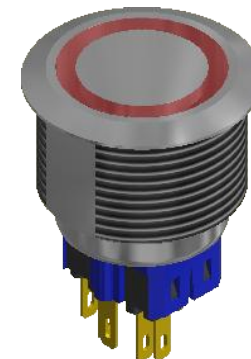
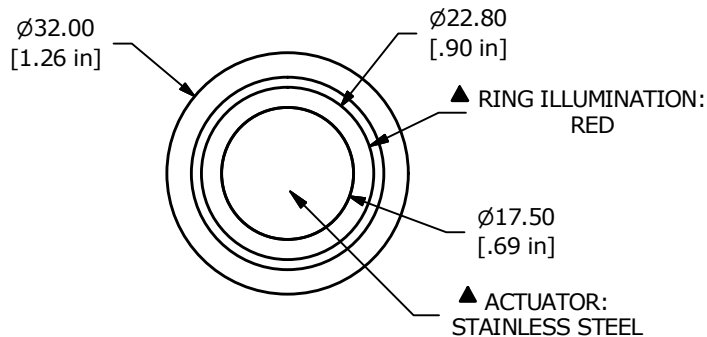
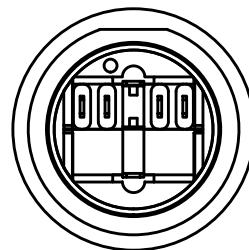
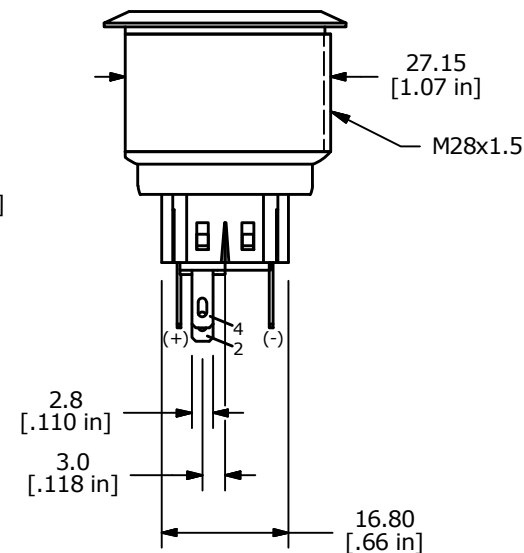
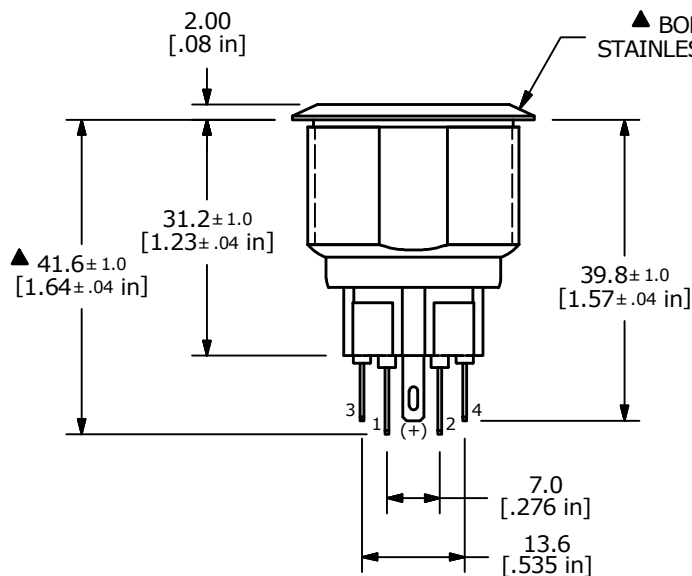
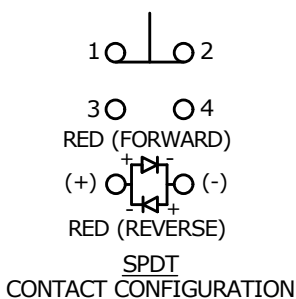


RECOMMENDED PANEL CUTOUT  
MAX. PANEL THICKNESS 10mm



▲ SWITCH FUNCTION

POS. 1	POS. 2
1-2 ON	1-2 OFF
3-4 OFF	3-4 ON



NOTE:

- ALL DIMENSIONS IN MM [INCH]
- GENERAL TOLERANCE: X.X = ± 0.4  
X.XX = ± 0.25
- TERMINAL NOS. FOR REF. ONLY
- RATING: 2A @ 48VDC
- CONTACT RESISTANCE: 50mΩ MAX. @ 1A 12VDC
- INSULATION RESISTANCE: 1,000MΩ @ 500VDC
- DIELECTRIC STRENGTH: 2,000VAC MIN. FOR 1 MINUTE
- ELECTRICAL LIFE: 50,000 CYCLES
- OPERATING TEMPERATURE: -20°C to 55°C
- INGRESS PROTECTION: IP66
- ▲ DENOTES CRITICAL PARAMETER
- ILLUMINATION VOLTAGE: 1.8V
- SUPPLIED HARDWARE: O-RING AND HEX NUT



REV	PCR NO	DESCRIPTION	DATE	BY
B	23837	UPDATED RATING TO IP66	4/8/19	MJR
A	22724	RELEASE FOR PRODUCTION	2/10/17	MW

TITLE PV9F2T0SS-311-DH (Housing with Flat)				
SCALE	DATE	DR	DWG	REV
1:1	2/10/2017	MW	52-PV9F2T0SS311DH	B

THE INFORMATION CONTAINED IN THIS DOCUMENT IS PROPRIETARY TO E-SWITCH AND IS NOT TO BE COPIED OR TRANSFERRED